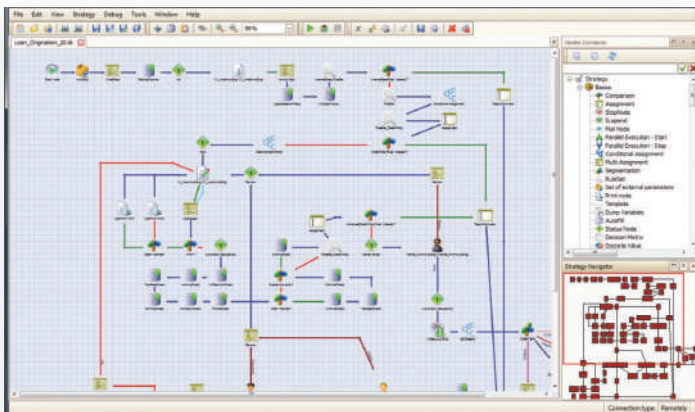


# TURNKEY LENDER ENTERPRISE PLATFORM - DECISION MANAGEMENT SOFTWARE

A decision management system with no limits  
in integration flexibility and advanced decision  
analytics

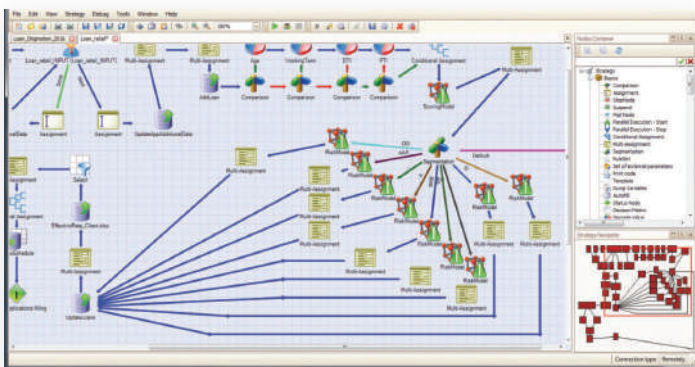
# DECISIONING SYSTEM - TURNKEY LENDER ENTERPRISE PLATFORM

Decision management aid across your entire customer lifecycle



TurnKey Lender Enterprise platform combines business rules, business processes and predictive analytics to empower management and automation of real-time frequently occurring operational decisions.

It enables to combine customer interactions, business processes and automated decisions in a single transparent and coherent flow that is easy to understand and manage by subject matter experts.



TurnKey Lender Enterprise platform allows businesses of any size to implant real-time intelligence into any type of business process or customer interaction activity to increase profitability of frequently occurring operations.

A decision server of high-performance ensures automatic real-time decisions and process automation, creating actionable intelligence and revealing insights from data flowing through the process in real time.



## ENTERPRISE DECISION MANAGEMENT

### Automate better operational business decisions for all stages of your customer life cycle

Decision management is a technology and approach that enables businesses to formalize, automate, constantly improve, and effectively manage frequently occurring repeatable business decisions that take place across business process and transaction-based business systems. TurnKey Lender Enterprise platform helps your business to seize opportunities and minimize risks in real-time. It is an extremely easy-to-use platform for designing, automating and managing frequent, repeatable operational decisions.

TurnKey Lender Work-flow Manager and TurnKey Lender Decision Engine are two components of TurnKey Lender Enterprise platform. They form the platform for governing and executing event-driven business rules, decision flows, predictive models and decision intensive business processes to help you make operational decisions faster, less risky and more profitable.

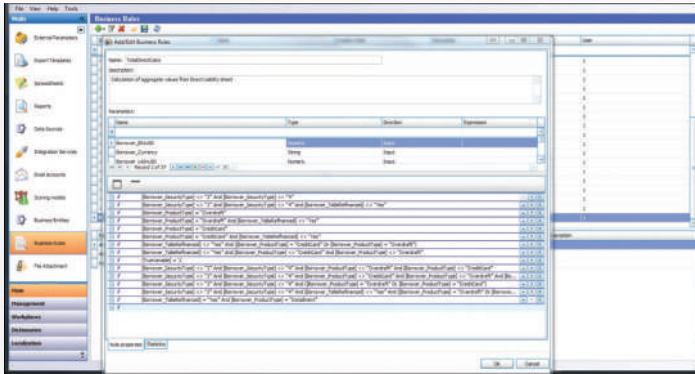
## TURNKEY LENDER DECISION ENGINE – MUCH MORE THAN JUST A BUSINESS RULES MANAGEMENT ENGINE

### Convert business rules and data flows into profitable and automated business decisions

TurnKey Lender Decision Engine is a decision server of high-performance that ensures automatic real-time decisions and process automation, creating actionable intelligence and revealing insights from data flowing through the process in real time.

With TurnKey Lender business rules management system, powered by TurnKey Lender Decision Engine, you get more value for your business from every customer and intracompany interactions.

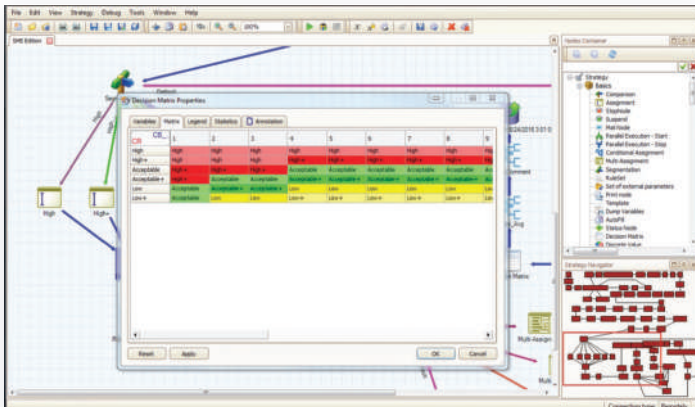
TurnKey Lender Enterprise platform offers comprehensive ETL functionality and thus not only facilitates advanced business rules management but also brings together data and information from different data sources to analyze them and automatically determine meaningful trends and patterns.



It empowers business users to define, manage and automate repeatable operational decisions. As a result, companies design and automate customer-centric business processes in the maximally efficient way.

## OPERATIONAL DECISION MANAGEMENT

Automate, manage and improve repeatable operational decisions



TurnKey Lender Enterprise platform improves the quality of operational decisions and helps determine the appropriate course of action for customers, partners and internal interactions.

It enables to combine customer interactions, business processes and automated decisions in a single transparent and coherent flow that is easy to understand and manage by subject matter experts.

TurnKey Lender Enterprise platform assists you in measuring opportunities versus risks and thus improves your operational business outcomes.



## DECISION ANALYTICS

### Agile Decision Automation and Analytics for Intelligent Companies



TurnKey Lender decision management platform empowers companies to find the most efficient decisions automation paths based on their data and their expertise and optimize scoring models, business rules and operational decisions.

Most importantly, businesses can then immediately deploy designed decision flows on the industry's most flexible decision automation platform without any additional programming.

With TurnKey Lender Enterprise platform predictive models can be integrated with business rules and immediately deployed on the decision engine to be used as elements within the business process or a decision analytics flow. In spite of support of predictive models based on artificial neural networks, decision trees, selforganized maps and regression, no programming skills or IT staff involvement is needed. All is done in an easy and intuitive way.